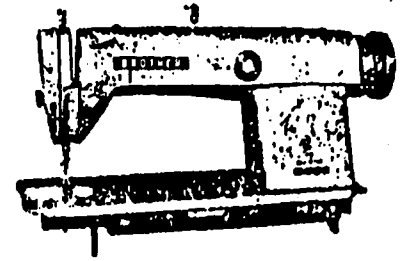
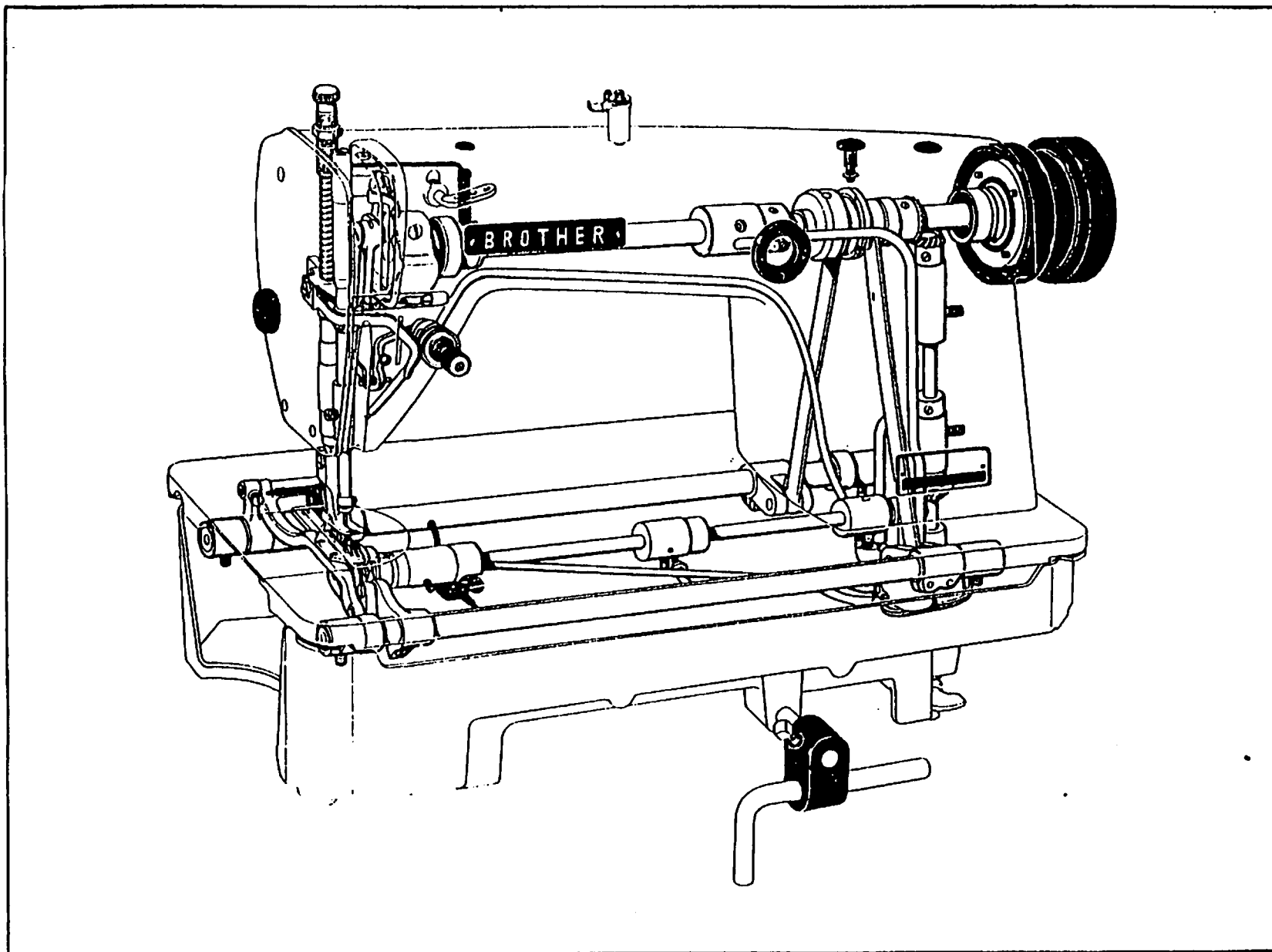


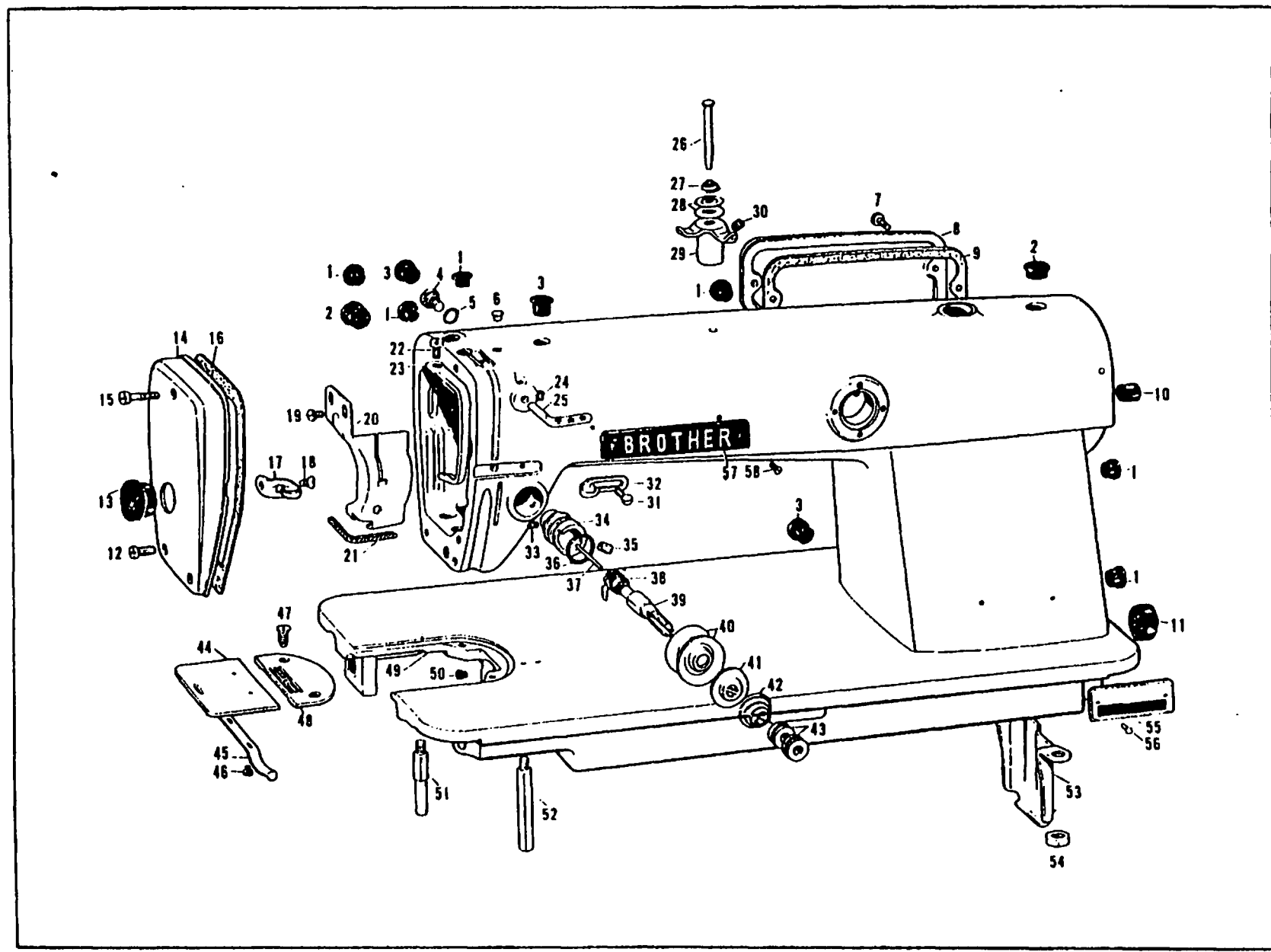
DB2-B758



1711008

DB2-B758

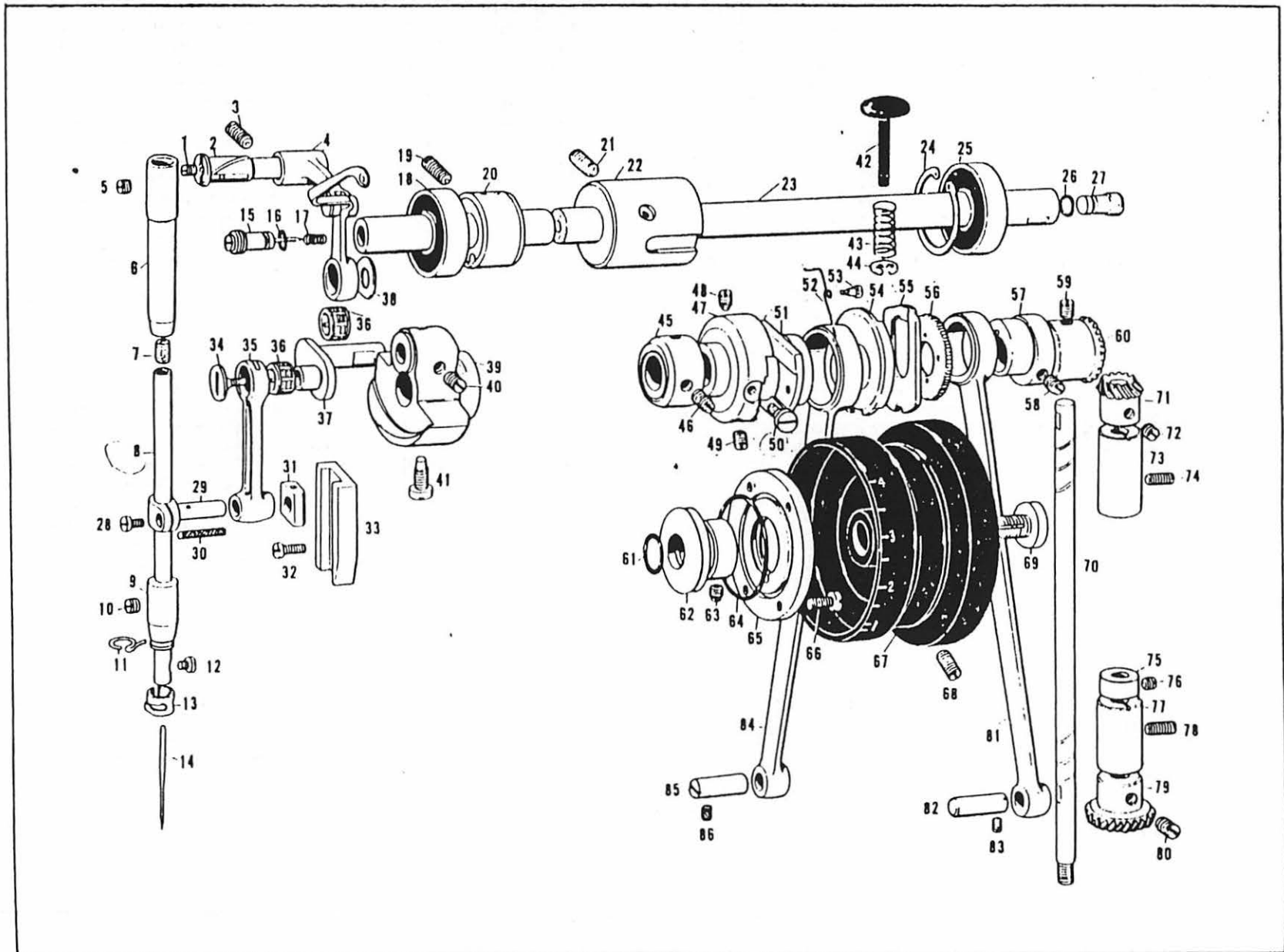




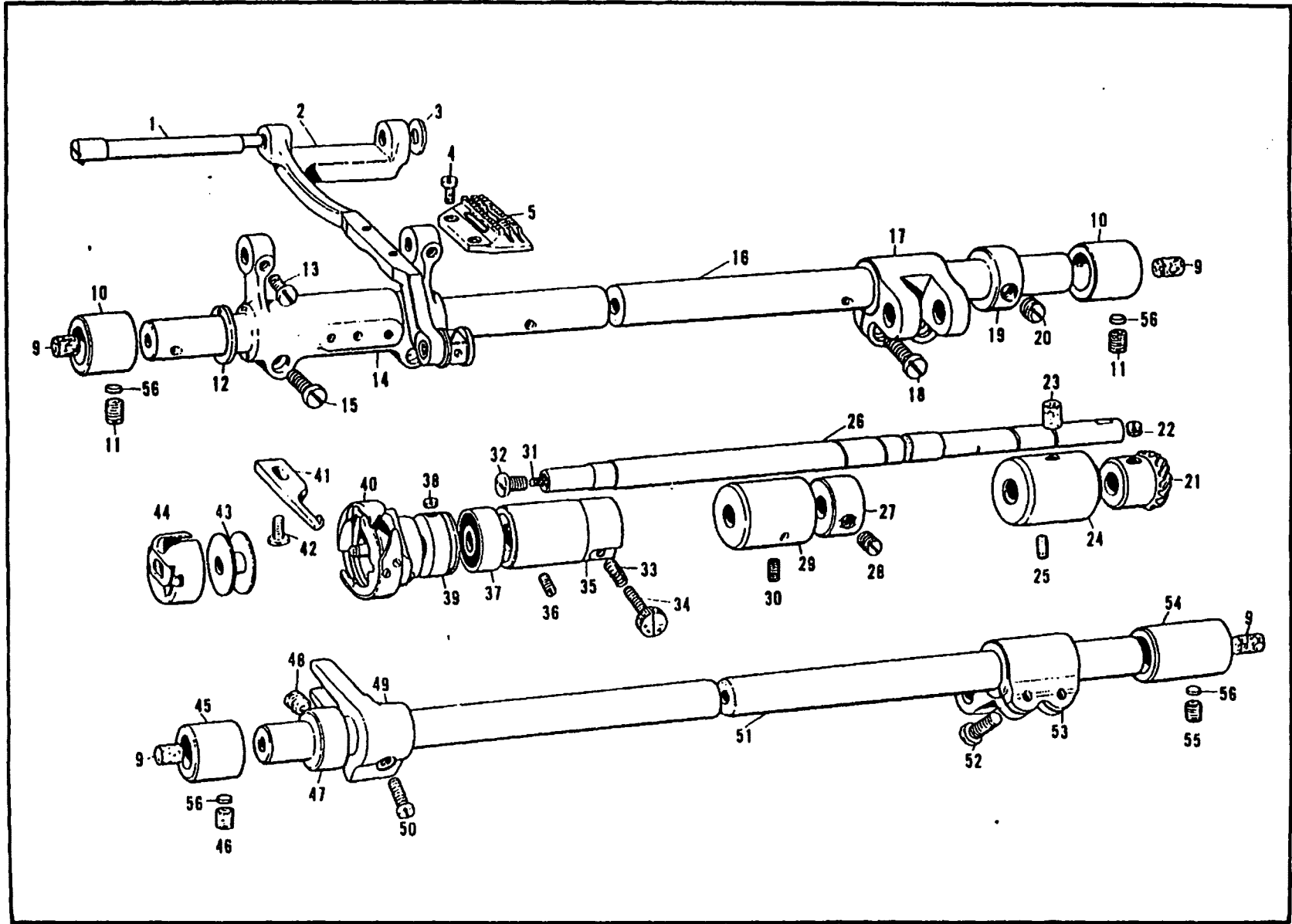
MODEL DB2-B758

DB2-B758-2

Ref. No.	Name of Parts	Qty	Parts No.	Assembly No.	Ref. No.	Name of Parts	Qty	Parts No.	Assembly No.
A-1	Oil cap for hole of B 3, B 19, B 21 B-74, and B 78	6	104450-0-01		A-39	Tension stud	1	116922-0-01	
A-2	Oil cap for hole of B41, B59	2	104449-0-01		A-40	Tension disc	2	108721-0-01	
A-3	Oil cap for hole of A-4, B-76, F-1	3	104821-0-01		A-41	Tension disc washer	1	100134-0-01	
A-4	Cap screw on arm for oil hole of B 2	1	106428-0-01		A-42	Tension spring	1	104525-0-01	
A-5	Packing PWS for A-4	1	081005-6-70		A-43	Tension control nut	1	100136-0-01	
A-6	Oil cap	1	111865-0-01		A-44	Slide plate	1	100268-0-01	
A-7	Fastening screw for A-8	1	100137-0-02		A-45	Slide plate spring	1	114561-0-01	
A-8	Rear cover (SPOTTY BLUE COLER)	1	111456-0-02		A-46	Fastening screw for A-44	2	100035-0-01	
A-8	Rear cover (SPOTTY OLIVE COLER)	1	111456-0-01		A-47	Flat head screw for A-48	2	100032-0-01	
A-9	Packing for rear cover A-8	1	111457-0-01		A-48	Needle plate (B) for DB2-B758-3	1	111859-0-01	
A-10	Oil cap at inside of pulley	1	104832-0-01		A-48	Needle plate (C) for DB2-B758-1	1	117212-0-01	
A-11	Oil cap at pulley side of bed	1	108520-0-01		A-49	Arm bed	1	116722-0-01	
A-12	Fastening screw for A-14	1	100287-0-04		A-50	Oil cap bed near rotary hook	1	104833-0-01	
A-13	Oil cap for face plate	1	112782-0-01		A-51	Bed leg B	1	104830-0-01	
A-14	Face plate (SPOTTY BLUE COLER)	1	111455-0-02		A-52	Bed leg A	1	104829-0-01	
A-14	Face plate (SPOTTY OLIVE COLER)	1	111455-0-01		A-53	Pump cover	1	108481-0-03	
A-15	Fastening screw for A-14	1	107385-0-01		A-54	Nut for pump cover	1	100090-0-03	
A-16	Packing for A-14	1	109195-0-01		A-55	Model plate for DB2-B758-3	1	116921-0-01	
A-17	Face plate thread guide	1	111476-0-01		A-55	Model plate for DB2-B758-1	1	116726-0-01	
A-18	Fastening screw for A-17	1	108960-0-03		A-56	Model plate pin	2	116231-0-01	
A-19	Fastening screw for A-20	2	100242-0-04		A-57	"BROTHER" nameplate	1	112547-0-01	
A-20	Oil stopper plate for thread take-up link	1	111478-0-01		A-58	Flat head screw for A-57	2	100191-0-03	
A-21	4x4 Wick	1	109405-0-01						
A-22	Fastening screw for A-23	1	100541-0-01						
A-23	Thread take-up cover (SPOTTY BLUE COLER)	1	116816-0-02						
A-23	Thread take-up cover (SPOTTY OLIVE COLER)	1	116816-0-01						
A-24	Set screw for A-25	1	100388-0-03						
A-25	Thread retainer	1	114931-0-01						
A-26	Pre-tension stud	1	112939-0-01						
A-27	Pre-tension spring	1	100548-0-01	112937-0-01					
A-28	Pre-tension disc	2	100546-0-01						
A-29	Pre-tension	1	112938-0-01						
A-30	Set screw	1	100218-0-02						
A-31	Fastening screw for A-32	1	100257-0-07						
A-32	Arm thread guide	1	113316-0-01						
A-33	Fastening screw for A-39	1	100402-0-02						
A-34	Upper thread tension bracket	1	111854-0-01						
A-35	Set screw for A-34	1	100062-0-04						
A-36	Packing for A-34	1	114294-0-01						
A-37	Tension release pin	1	100400-0-00						
A-38	Thread take-up spring	1	100399-0-01						

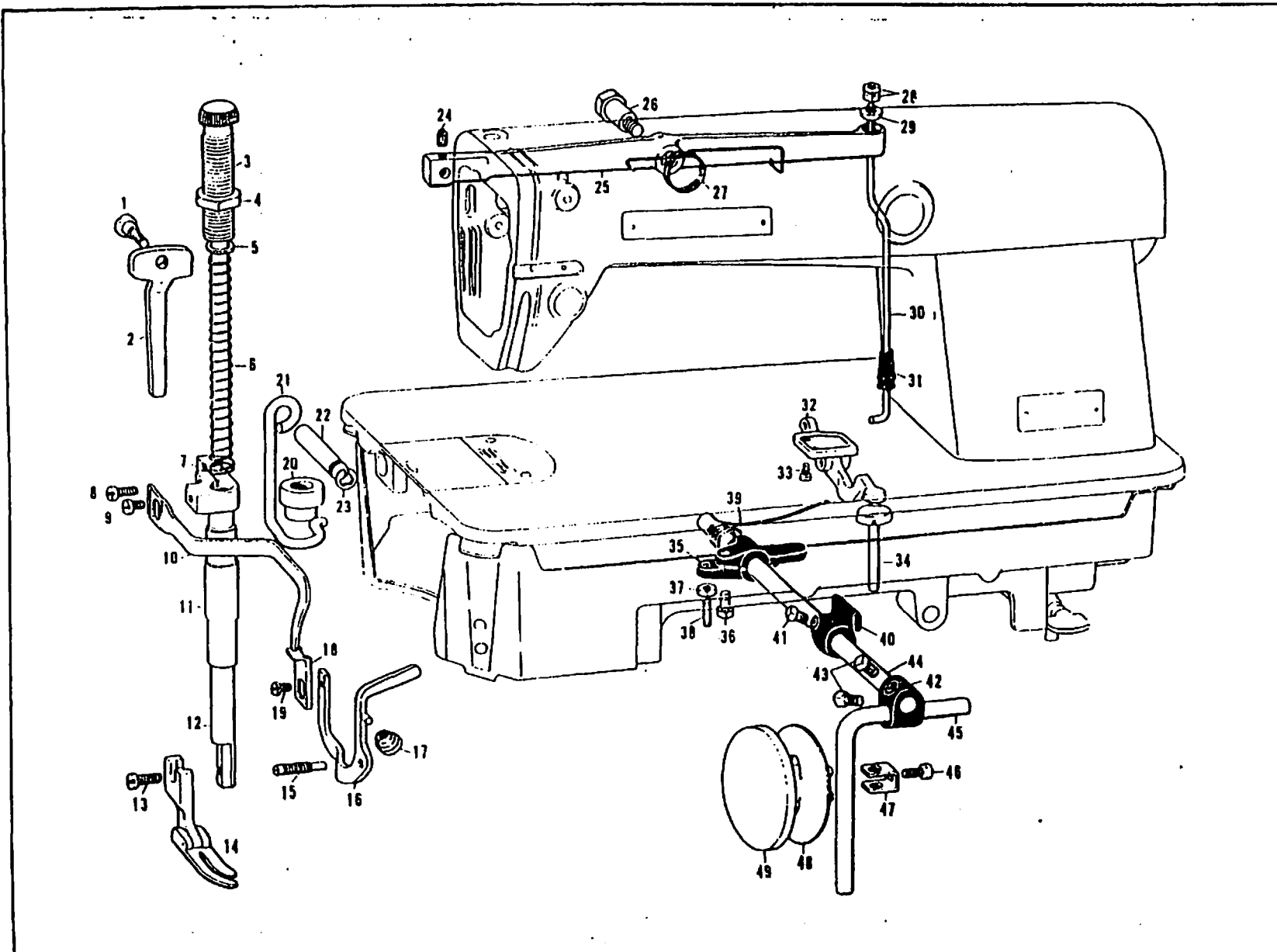


Ref. No.	Name of Parts	Q'ty	Parts No.	Assembly No.	Ref. No.	Name of Parts	Q'ty	Parts No.	Assembly No.
B 1	Cap screw for oil hole of B 2	1 pce.	104651-0-01		B 45	Upper shaft collar	1 pce.	101486-0-01	
B 3	Set screw for B-2	1 *	100016-0-03		B 46	Set screw for B-45	2 pcs.	100013-0-03	
B 5	Set screw for B-6	1 *	100260-0-01		B 47	Eccentric wheel clamp	1 pce.	116754-0-01	
B 6	Needle bar bushing upper	1 *	117242-0-01		B 48	Set screw for B-47	1 *	103950-0-01	
B 7	Needle bar cork	1 *	111863-0-01	182342-0-01	B 49	Set screw for B-47	2 pcs.	100013-0-03	
B 8	Needle bar	1 *	117246-0-01		B 50	Eccentric wheel stopper stud screw	1 pce.	116755-0-01	
B 9	Needle bar bushing lower	1 *	117243-0-01		B 51	Eccentric wheel	1 *	116753-0-01	117181-0-01
B 10	Set screw for B-9	1 *	100260-0-01		B 52	Spring for ratchet stopper	1 *	116759-0-01	
B 11	Thread guide for B-9	1 *	100573-0-01		B 53	Set screw for B-52	1 *	116760-0-01	
B 12	Set screw for B-14	1 *	100130-0-01		B 54	Eccentric feed control cam	1 *	116756-0-01	
B 13	Needle bar thread guide	1 *	112775-0-01		B 55	Ratchet stopper	1 *	116757-0-01	
B 14	Needle DB X1 for DB2-B758-3	1 *	100265-0-36		B 56	Eccentric wheel ratchet	1 *	116758-0-01	
B 14	Needle DB X1 for DB2-B758-1	1 *	100575-0-31		B 57	Vertical feed eccentric cam	1 *	116862-0-01	
B 15	Oil screw left for upper shaft	1 *	116787-0-01		B 58	Set screw for B-57	2 pcs.	100013-0-03	
B 16	Packing for B-15	1 *	081002-0-70		B 59	Set screw for B-60	2 *	100251-0-01	
B 17	Spring for B-15	1 *	116799-0-01		B 60	Upper shaft gear	1 pce.	103552-0-01	180022-0-01
B 18	Ball bearing left for upper shaft	1 *	116933-0-00		B 71	Vertical shaft upper gear	1 *	104511-0-01	
B 19	Set screw for B-20	1 *	100016-0-03		B 72	Set screw for B-71	2 pcs.	101706-0-01	
B 20	Upper shaft bushing left	1 *	111459-0-00		B 61	Packing for B-62	1 pce.	116789-0-01	
B 21	Set screw for B-22	1 *	100016-0-03		B 62	Oil rejector for upper shaft	1 *	117062-0-01	
B 22	Upper shaft bushing intermediate	1 *	104836-0-00		B 63	Set screw for B-62	2 pcs.	100058-0-03	
B 23	Upper shaft	1 *	116727-0-01		B 64	Packing for B-65	1 pce.	116791-0-01	
B 24	Stop ring for B 25	1 *	048350-2-42		B 65	Cap for B-62	1 *	116790-0-01	
B 25	Ball bearing right for upper shaft	1 *	116934-0-01		B 66	Set screw for B-65	4 pcs.	100388-0-02	
B 26	Packing for B-27	1 *	081002-6-70		B 67	Arm pulley	1 pce.	116736-0-01	
B 27	Oil screw right for upper shaft	1 *	104555-0-00		B 68	Set screw for B-67	2 pcs.	100016-0-03	
B 31	Needle bar guide slide block	1 *	102630-0-01		B 69	Cap screw for arm pulley	1 pce.	104478-0-01	
B 32	Set screw for B-33	1 *	100137-0-01		B 70	Vertical shaft	1 *	109159-0-01	
B 33	Needle bar guide	1 *	102631-0-01		B 73	Vertical shaft upper bushing	1 *	117244-0-01	
B 2	Stud for thread take-up supporter	1 *	111468-0-01		B 74	Set screw for B-73	1 *	100016-0-03	
B 4	Thread take-up lever	1 *	116734-0-01		B 75	Set collar for B-77	1 *	104521-0-01	
B 28	Set screw for B 29	1 *	100257-0-06		B 76	Set screw for B-75	2 pcs.	101706-0-01	
B 29	Needle bar connecting stud	1 *	111237-0-01		B 77	Vertical shaft lower bushing	1 pce.	117245-0-01	
B 30	Wick for B-29	1 *	100809-0-01	116732-0-01	B 78	Set screw for B-77	1 *	100016-0-03	
B 31	Cap screw for needle bar crank	1 *	103801-0-01		B 79	Vertical shaft lower gear	1 *	104515-0-01	
B 35	Needle bar crank rod	1 *	111236-0-01		B 80	Set screw for B-79	3 pcs.	100251-0-01	180023-0-01
B 36	Needle roller with retainer	2 pcs.	116735-0-01		C 21	Lower shaft gear	1 pce.	104516-0-01	
B 37	Needle bar crank	1 pce.	116733-0-01		C 22	Set screw for C-21	2 pcs.	100251-0-01	
B 38	Needle bar crank washer	1 *	110367-0-01		B 81	Vertical feed connecting rod	1 pce.	116763-0-01	
B 39	Counter weight	1 *	116731-0-01		B 82	Stud for B-81	1 *	109153-0-01	
B 40	Set screw for B-37	2 pcs.	100251-0-01		B 83	Set screw for B-82	1 *	100388-0-03	
B 41	Set screw for B-39	1 pce.	104464-0-01		B 84	Horizontal feed crank	1 *	116761-0-01	
B 42	Feed control button	1 *	116764-0-01		B 85	Horizontal feed crank stud	1 *	109153-0-01	
B 43	Spring for B-42	1 *	116765-0-01		B 86	Set screw for B-85	1 *	100388-0-03	
B 44	Stop ring	1 *	048040-3-42						



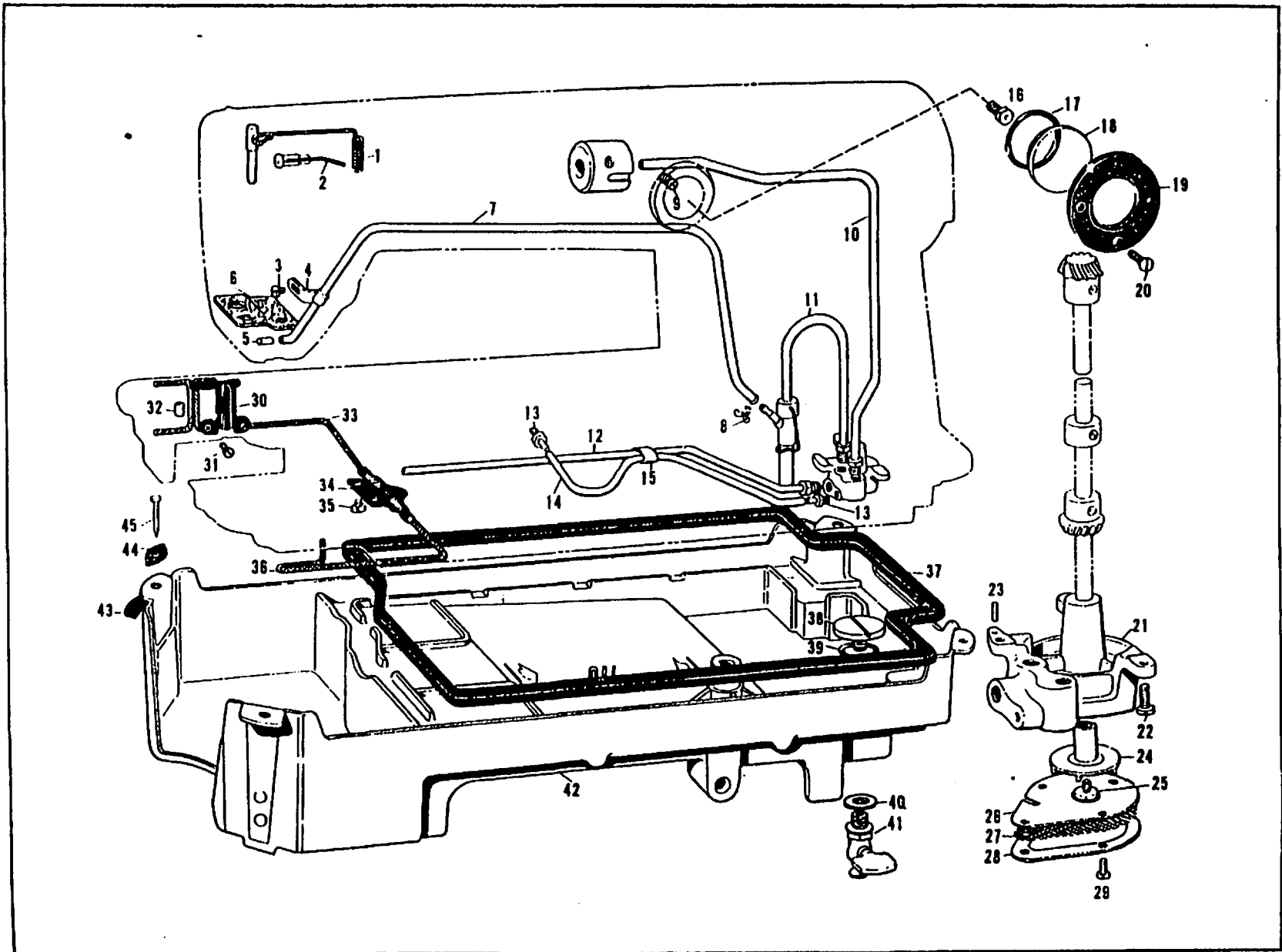
Ref. No.	Name of Parts	Q'ty	Parts No.	Assembly No.	Ref. No.	Name of Parts	Q'ty	Parts No.	Assembly No.
C-1	Feed bar shaft	1 pce.	116917-0-01		C-51	Vertical feed shaft	1 pce.	116926-0-01	
C-2	Feed bar assembly	1 *	118213-0-01		C-52	Fastening screw for C-53	2 pcs.	100086-0-03	
C-3	Spring washer for C-1	1 *	115663-0-01		C-53	Vertical feed rock shaft	1 pce.	116768-0-01	
C-4	Fastening screw for C-5	2 pcs.	100080-0-03		C-54	Vertical feed shaft bushing, right	1 *	116919-0-01	
C-5	Feed dog	1 pce.	111860-0-01		C-55	Set screw for C-54	1 *	100251-0-01	
C-9	6φ × 7 felt	4 pcs.	107155-0-01		C-56	Washer for C-46, C-55	2 pcs.	107793-0-00	
C-10	Horizontal feed shaft collar	2 *	116766-0-01						
C-11	Set screw for C-10	2 *	101706-0-01						
C-12	Set collar for C-14	1 pce.	116920-0-01						
C-13	Fastening screw for C-1	2 pcs.	100541-0-01						
C-14	Horizontal feed arm	1 pce.	116838-0-00						
C-15	Fastening screw for C-14	2 pcs.	100086-0-03						
C-16	Horizontal feed shaft	1 pce.	116837-0-01						
C-17	Feed rock shaft arm	1 *	117169-0-01						
C-18	Fastening screw for C-17	2 pcs.	100388-0-03						
C-19	Set collar for C-16	1 pce.	116918-0-01						
C-20	Set screw for C-19	2 pcs.	101706-0-01						
C-23	6φ × 7 felt	1 pce.	107155-0-01						
C-24	Lower shaft bushing, right	1 *	104520-0-00						
C-25	Set screw for C-24	1 *	104869-0-02						
C-26	Lower shaft	1 *	116775-0-01						
C-27	Lower shaft collar	1 *	116778-0-01						
C-28	Set screw for C-27	2 pcs.	100289-0-03						
C-29	Lower shaft bushing, middle	1 pce.	116777-0-00						
C-30	Set screw for C-29	1 *	104869-0-02						
C-31	Oil felt for C-26	1 *	106436-0-01						
C-32	Lower shaft oil cap screw	1 *	109173-0-01						
C-33	Spring for C-34	1 *	116794-0-01						
C-34	Oil flow adjusting screw	1 *	116793-0-01						
C-35	Lower shaft bushing, left	1 *	116776-0-00						
C-36	Set screw for C-35	1 *	104869-0-02						
C-37	Upper shaft ball bearing, left	1 *	072060-8-50						
C-38	Set screw for C-39	1 *	100388-0-04						
C-39	Oil rejector for C-26	1 *	116792-0-01						
C-40	Notary hook assembly	1 *	116780-0-01						
C-41	Bobbin case holder position bracket	1 *	116781-0-01						
C-42	Fastening screw for C-41	1 *	107407-0-02						
C-43	Bobbin	1 *	116782-0-01						
C-44	Bobbin case assembly	1 *	100369-0-01						
C-45	Vertical feed shaft bushing, left	1 *	116766-0-01						
C-46	Set screw for C-45	1 *	101706-0-01						
C-47	Set collar for C-51	1 *	116918-0-01						
C-48	Set screw for C-47	2 pcs.	101706-0-01						
C-49	Feed lifting arm	1 pce.	180322-0-01						
C-50	Fastening screw for C-49	1 *	106127-0-02						





DB2-B758-8

Ref. No.	Name of Parts	Q'ty	Parts No.	Assembly No.	Ref. No.	Name of Parts	Q'ty	Parts No.	Assembly No.
D-1	Stud screw for D-2	1 pce.	100290 0-01		D-42	Knee lifter bracket	1 pce.	118658-0-01	
D-2	Presser bar lifter	1 *	100497 0-01		D-43	Set bolt for D-42	2 pce.	100463-0-01	
D-3	Pressure adjusting screw	1 *	116739 0 01		D-44	Knee lifter shaft	1 pce.	104882-0-01	
D-4	Lock nut for D-3	1 *	102412 0-01		D-45	Knee lifter bar	1 *	104619-0-01	
D-5	Washer for D-6	1 *	117177-0-01		D-46	Fastening screw for D-47	1 *	110087-0-01	
D-6	Presser spring	1 *	113321 0-01		D-47	Knee lifter plate stopper	1 *	114967-0-01	
D-7	Presser bar bracket	1 *	100497 0-01		D-48	Knee lifter plate	1 *	114966-0-01	
D-8	Set screw for D-7	1 *	100013-0-03		D-49	Knee lifter plate cover	1 *	114968-0-01	
D-9	Fastening screw for D-10	1 *	100541 0-01						
D-10	Presser bar bracket thread guide	1 *	110785 0-01						
D-11	Presser bar bushing	1 *	116738 0 01	182335-0-01					
D-12	Presser bar	1 *	116737 0-01						
D-13	Fastening screw for D-14	1 *	100287 0-04						
D-14	Presser foot assembly for DB2-B758-3	1 *	111856 0-01						
D-14	Presser foot assembly for DB2-B758-1	1 *	111856 0-01						
D-15	Hinge screw for D-16	1 *	109163 0-01						
D-16	Tension release crank	1 *	116783 0-01						
D-17	Tension release crank spring	1 *	100405 0-01						
D-18	Tension release plate	1 *	116784 0-01						
D-19	Fastening screw for D-18	1 *	100242 0-03						
D-20	Presser bar lifter collar	1 *	100290 0-01						
D-21	Presser bar lifting connector	1 *	109144 0-01						
D-22	Presser bar lifting shaft	1 *	116746 0-01						
D-23	Stopper ring for D-22	1 *	048040 3-42						
D-24	Set screw for D-22	1 *	100013 0-02						
D-25	Knee lifter lever (SPOTTY BLUE COLER)	1 *	116747 0-02						
D-25	Knee lifter lever (SPOTTY OLIVE COLER)	1 *	116747-0-01						
D-26	Stud screw for D-25	1 *	102921 0-01						
D-27	Spring for D-25	1 *	116752 0-01						
D-28	Nut for D-30	1 *	100301 0-06						
D-29	Washer for D-30	1 *	116748 0-01						
D-30	Knee lifter connector rod	1 *	116749-0-01						
D-31	Cover for D-30	2 pce.	117211 0-01						
D-32	Knee lifter lever assembly	1 pce.	116932-0-01						
D-33	Fastening screw for D-32	1 *	104908 0-02						
D-34	Knee lifter presser bar	1 *	116798 0-01						
D-35	Knee lifter crank	1 *	116797 0-01						
D-36	Set bolt for D-35	1 *	017762-0-13						
D-37	Nut for D-38	1 *	100022-0-04						
D-38	Set screw for D-35	1 *	104885-0-01						
D-39	Lifter spring for D-35	1 *	104886-0-01						
D-40	Stopper collar	1 *	100467-0-01						
D-41	Set bolt for D-40	1 *	100463 0-03						



Ref. No.	Name of Parts	Q'ty	Parts No.	Assembly No.	Ref. No.	Name of Part	Q'ty	Parts No.	Assembly No.
E-1	4x4 Wick	1pc.	108804-0-01		E-44	Head seat on oil pan	4 pcs.	113443-0-01	
E-2	4x4 Wick	1 *	109405-0-01		E-45	Nail for E-44	4 *	109714-0-00	
E-3	Fastening screw for E-4	1 *	100242-0-04						
E-4	Tube holder for E-7	1 *	109211-0-01						
E-5	Suction pipe for jet pump	1 *	109191-0-00						
E-6	Dust cover	1 *	111461-0-01						
E-7	3x600 Vinyl tube	1 *	111198-0-01						
E-8	Tube clip for E-7, E-11	1 *	109211-0-01						
E-9	Set screw for E-10	1 *	104869-0-02						
E-10	Oil pipe for upper shaft assembly	1 *	116924-0-01						
E-11	Jet pump assembly	1 *	110867-0-01						
E-12	Oil pipe for lower shaft assembly	1 *	116817-0-01						
E-13	Oil plug	2 pcs.	110872-0-00						
E-14	3x185 Vinyl tube	1pc.	116796-0-01						
E-15	7x5 Vinyl tube	1 *	100388-0-03						
E-16	Oil hole bolt for oil gauge	1 *	104856-0-00						
E-17	Packing PW14	1 *	081014-6-70						
E-18	Oil gauge window	1 *	104547-0-01						
E-19	Oil gauge flange	1 *	104546-0-01						
E-20	Flat head screw for E-19	4 pcs.	102538-0-02						
E-21	Oil pump body	1pc.	116927-0-00						
E-22	Fastening screw for E-21	3 pcs.	100086-0-03						
E-23	Taper pin for E-21	2 *	102456-0-00						
E-24	Oil propeller	1pc.	109859-0-00						
E-25	Fastening screw for E-24	1 *	102836-0-02						
E-26	Oil filter cover	1 *	109860-0-00						
E-27	Oil filter for pump	1 *	117093-0-00						
E-28	Oil filter flange	1 *	104864-0-00						
E-29	Fastening screw for E-28	4 pcs.	100137-0-01						
E-30	Wick supporter C-2	1pc.	109171-0-01						
E-31	Fastening screw for E-30	2 pcs.	105295-0-03						
E-32	Vinyl tube for E-33	1pc.	104566-0-01						
E-33	4x4 Wick for C-16	1 *	108801-0-01						
E-34	Wick Supporter under bed for E-33, E-36	1 *	109172-0-01						
E-35	Fastening screw for E-34	2 pcs.	100242-0-04						
E-36	4x4 Wick for C-51	1pc.	108802-0-01						
E-37	Packing for oil pan (RUBBER)	1 *	110281-0-01						
E-37	Packing for oil pan (CORK)	2 pcs.	114747-0-01						
E-38	Oil cap for E-41	1pc.	109202-0-01						
E-39	Packing PW10	1 *	081010-6-60						
E-40	Packing for E-41	2 pcs.	109406-0-01						
E-41	Oil cock assembly	1pc.	109196-0-01						
E-42	Oil pan	1 *	116815-0-01						
E-43	Cushion for oil pan	4 pcs.	110460-0-01						